

PRO-280

Heavy Vehicle, 8000KG



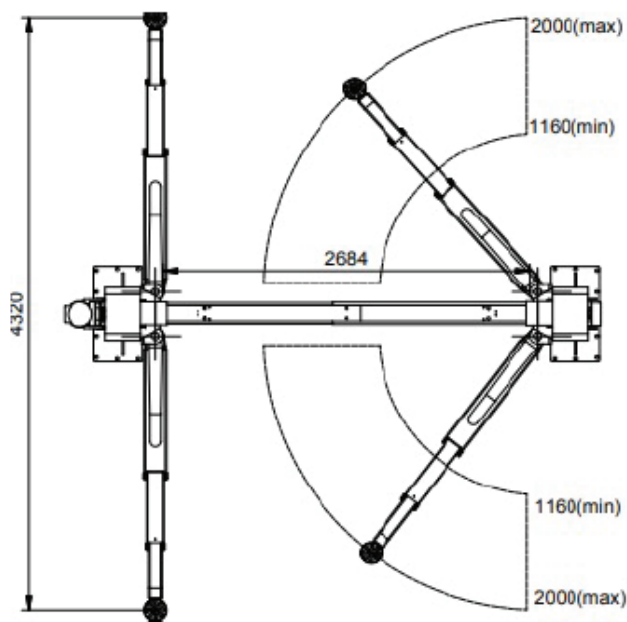
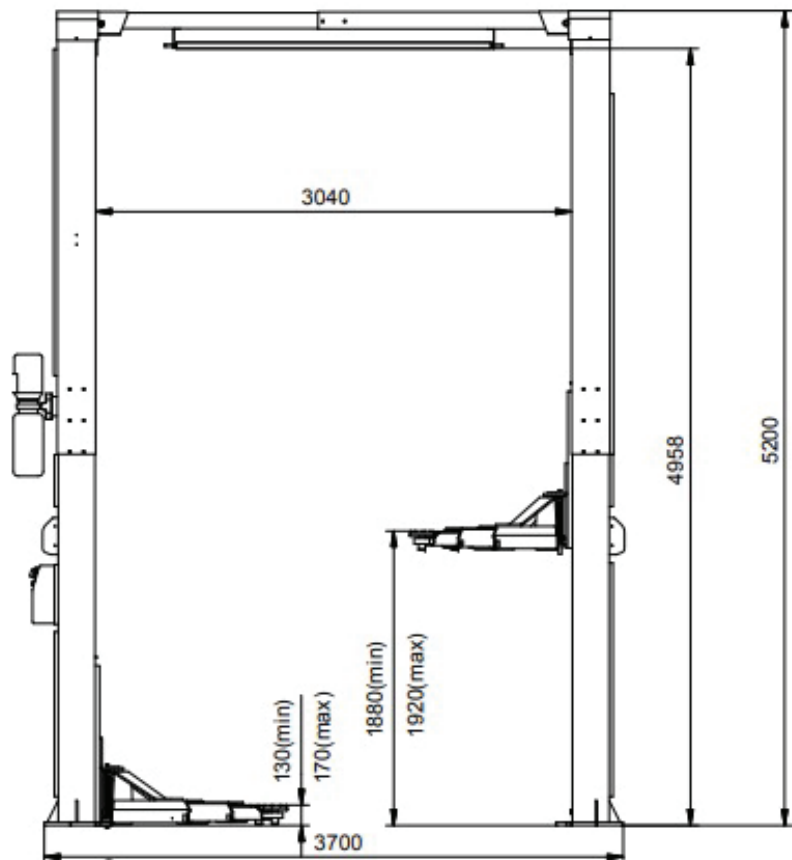
CENTURY »
AUTOMOTIVE EQUIPMENT

Lift features:
-2 direct drive cylinders
-Synchronization by steel cable
-Ratchet safety system
(manual or electrical)
-High lifting

CENTURY EQUIPMENT
54 Wainu Rd, Waiwhetu, Wellington
04 567 1405 - sales@centurydistributors.co.nz

PRO-280

CENTURY»
AUTOMOTIVE EQUIPMENT



Lifting capacity (kg)	8 000
Lifting/lowering time (s)	65 / 50
Lifting height (mm)	1 920
Total width (mm)	3 700
Post distance (mm)	3 040
Arm length (front, mm)	1 160 / 2 000
Arm length (rear, mm)	1 160 / 2 000
Minimum height (mm)	130

CENTURY EQUIPMENT
 54 Wainu Rd, Waiwhetu, Wellington
 04 567 1405 - sales@centurydistributors.co.nz