

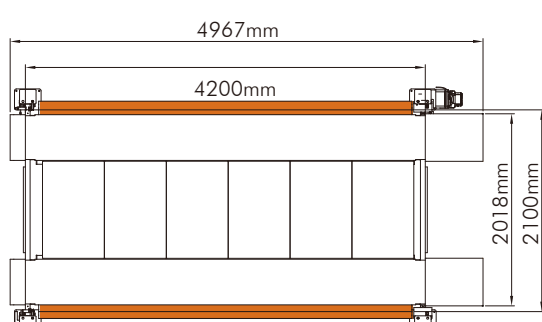
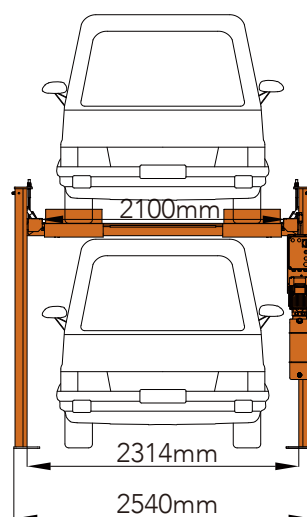
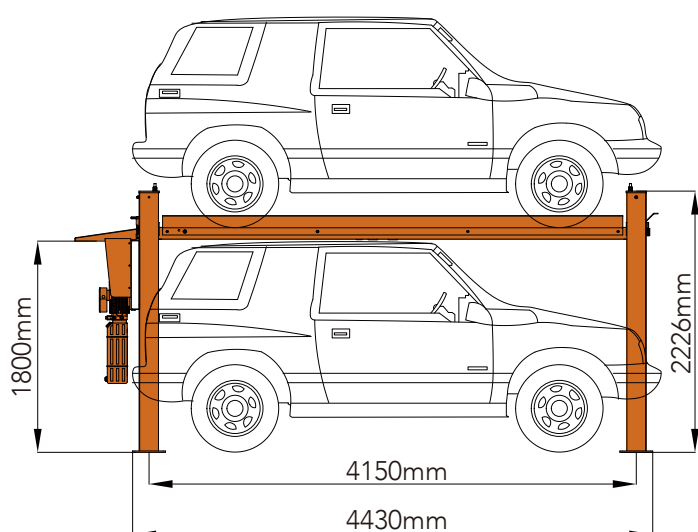
Four Post Parking Lift
Hydro-Park 2236



Specially developed for heavy-duty parking purpose based on traditional 4 post car lift, offering parking capacity 3600kg for heavy SUV, MPV, pickup, etc. Hydro-Park 2236 has rated lifting height of 1800mm, while Hydro-Park 2336 is 2100mm. Two parking spaces are offered above each other by each unit. They can also be used as car lift by removing the patented movable cover plates at platform center. User can operate by the panel mounted on front post.

- More reliable parking with 4 posts*
- 3600kg capacity to accommodate heavy duty vehicles*
- Lifting height options: 1800mm or 2100mm*
- Anti-slip diamond complete platform, rather than just 2 driveways*
- Lateral protection plates*
- Mechanical anti-falling locks allow multiple stopping heights*
- Low wear, proven hydraulic technology*
- Position of control panel is adjustable*
- Cable loose detection available*
- Proven high end quality with CE certificate*

Dimensions & Specifications



Lifting capacity	3600kg
Lifting height	1800mm / 2100mm
Usable platform width	2100mm
Power unit	2.2Kw hydraulic pump
Available voltage of power supply	100V-450V, 1 or 3 Phase, 50/60Hz
Operation mode	Key switch
Operation voltage	24V
Safety lock	Dynamic anti-falling lock
Lock release	Electric auto release
Rising / descending speed	<40s
Finishing	Powder coating with Akzo Nobel powder