

CENTURY EQUIPMENT

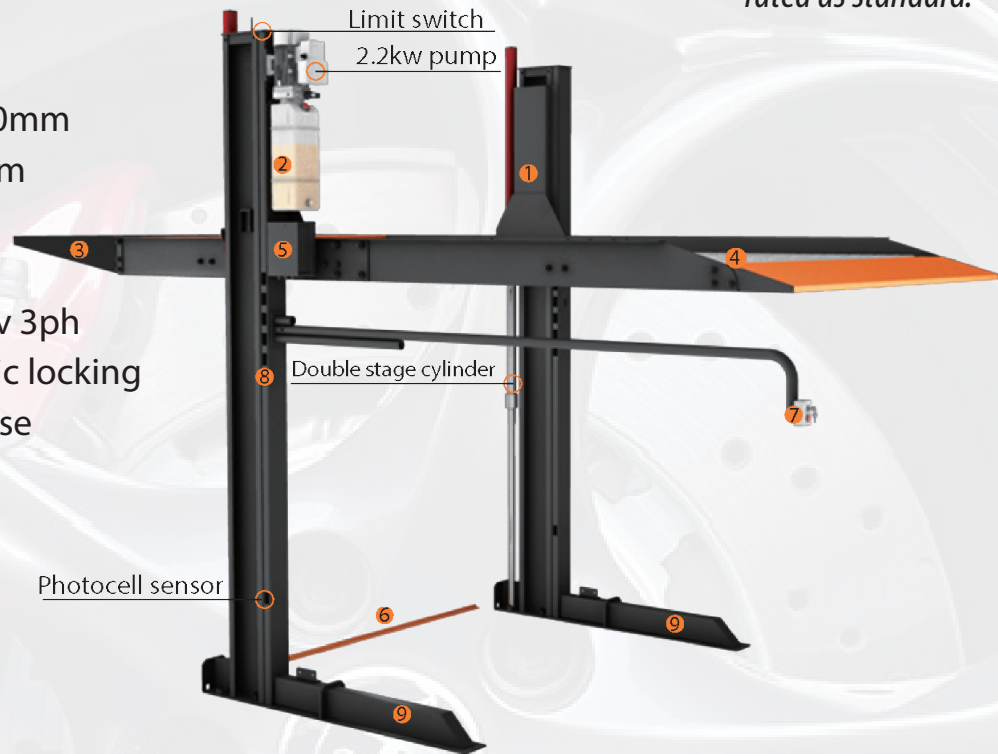
DISTRIBUTORS

CENTURY PL-2700

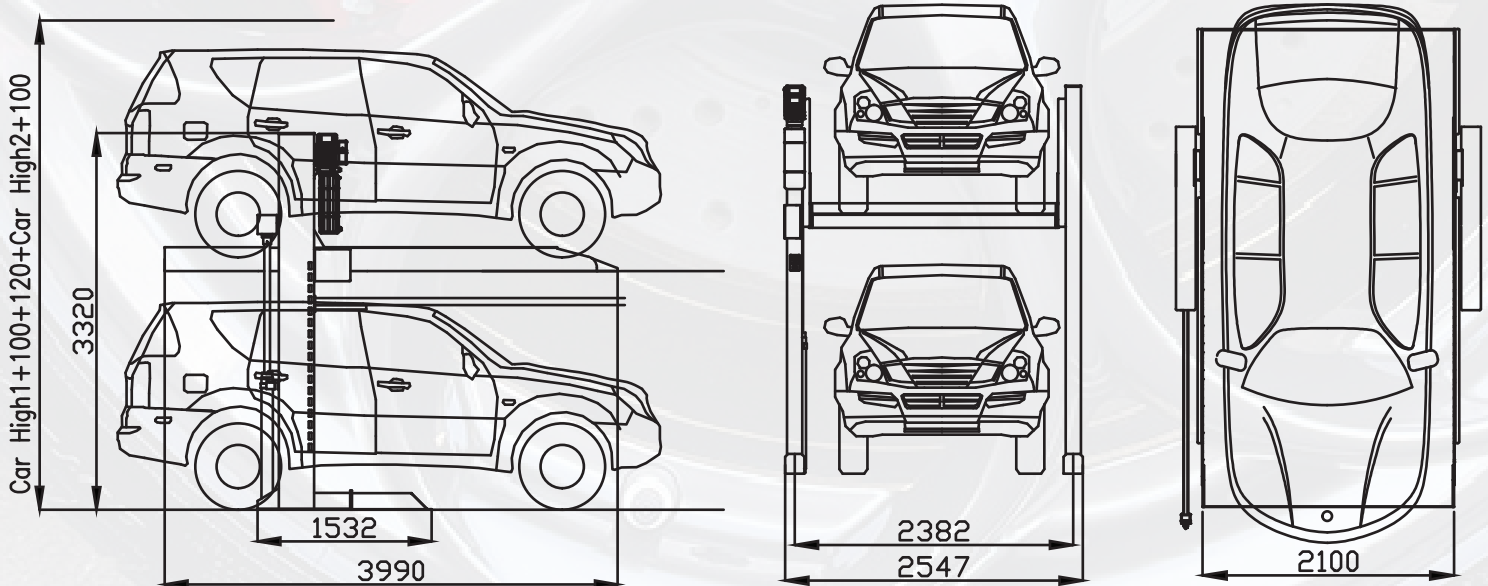
2 POST VEHICLE STACKER: 2,700KG

The premium parking lift option for adding additional vehicle storage. Electro hydraulic lift rated for 2,700kg. With CE certification and automatic safety features for peace of mind parking. Outdoor rated as standard.

- Lifting Capacity: 2,700kg
- Bottom vehicle clearance: 2,100mm
- Usable platform width: 2,100mm
- Overall width: 2,550mm
- Overall length: 3,990mm
- Power supply: 220v 1ph or 400v 3ph
- Safety locks: Automatic dynamic locking
- Lock release: Electric auto release
- Surface finish: Powdercoat
- Operation: Key switch



- Photocell sensor to stop lift lowering with vehicle below.
- Top adjustable limit switch for specific roof heights.
- Galvanized full length platform, no drips to vehicle below.
- Other width, heights and colours available.
- Lifts can share columns for additional space saving bays.



CENTURY

AUTOMOTIVE EQUIPMENT

WWW.CENTURYDISTRIBUTORS.CO.NZ

Phone: 04 567 1405

email: sales@centurydistributors.co.nz