

CENTURY»
AUTOMOTIVE EQUIPMENT

6000B

HEAVY DUTY - 6000kg



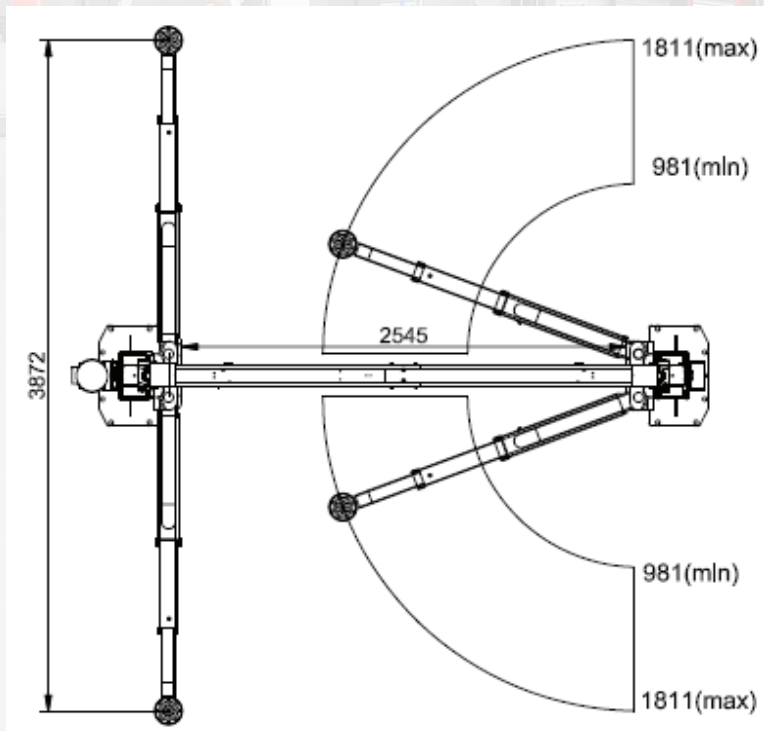
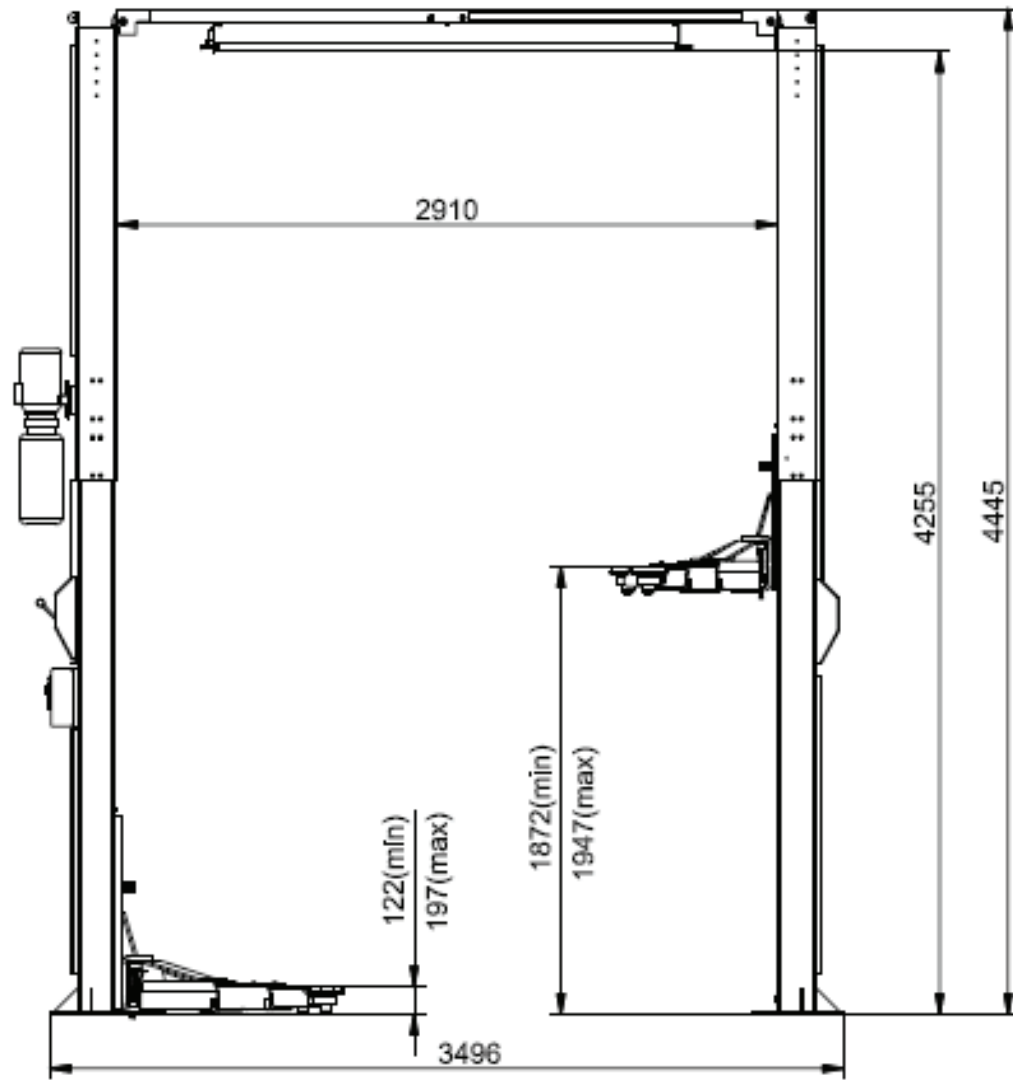
CENTURY EQUIPMENT
54 Wainui Rd, Waiwhetu, Wellington
Phone: 04 567 1405 - Email: sales@centurydistributors.co.nz
www.centurydistributors.co.nz

CEN-6000B

Korean designed commercial grade lift for busy work-shops. Low maintenance and servicing costs with all the features for comfortable all day use.

- *2 Post clear-floor hoist, 6000KG lift rating.*
- *Electric control box with isolator switch*
- *Single point lock release and lowering.*
- *Double telescopic adjustable lifting feet.*
- *Minimum lift pad height 122mm - Maximum 197mm*
- *Includes 100mm ute / 4x4 adaptors*
- *3 stage front and rear arms.*
- *Dual pre-stretched balancing cables.*
- *Automatic arm and carriage locks*
- *Top limit switch with padded bar*
- *Secondary carriage height limit*

- *4,445mm overall height*
- *Max lifting height 1,947mm*
- *Drive-through width 2,545mm*
- *Standard colour ultramarine blue*
Other colours available on order.
- *415V 3 phase.*



CENTURY»

AUTOMOTIVE EQUIPMENT

- Tyre Changers
- Wheel Balancers
- 2 Post Lifts
- 4 Post Lifts
- Scissor Lifts
- Vehicle Storage

CENTURY EQUIPMENT
 54 Wainui Rd, Waiwhetu, Wellington
 Phone: 04 567 1405 - Email: sales@centurydistributors.co.nz
www.centurydistributors.co.nz