



**TOOLS &
EQUIPMENT**

2PKG.45

GALVANIZED 4,500kg LIFT

CENTURY »
AUTOMOTIVE EQUIPMENT



CENTURY EQUIPMENT

54 Wainui Rd, Waiwhetu, Wellington

Phone: 04 567 1405 - Email: sales@centurydistributors.co.nz

www.centurydistributors.co.nz

CEN-2PKG.45

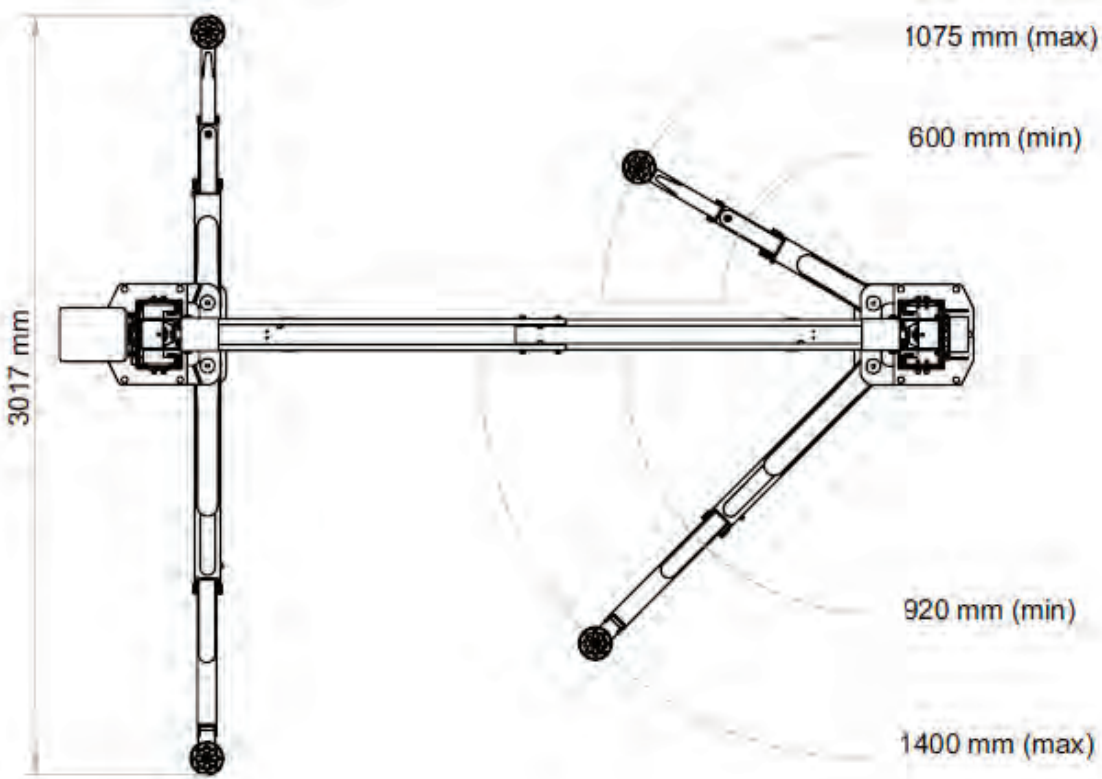
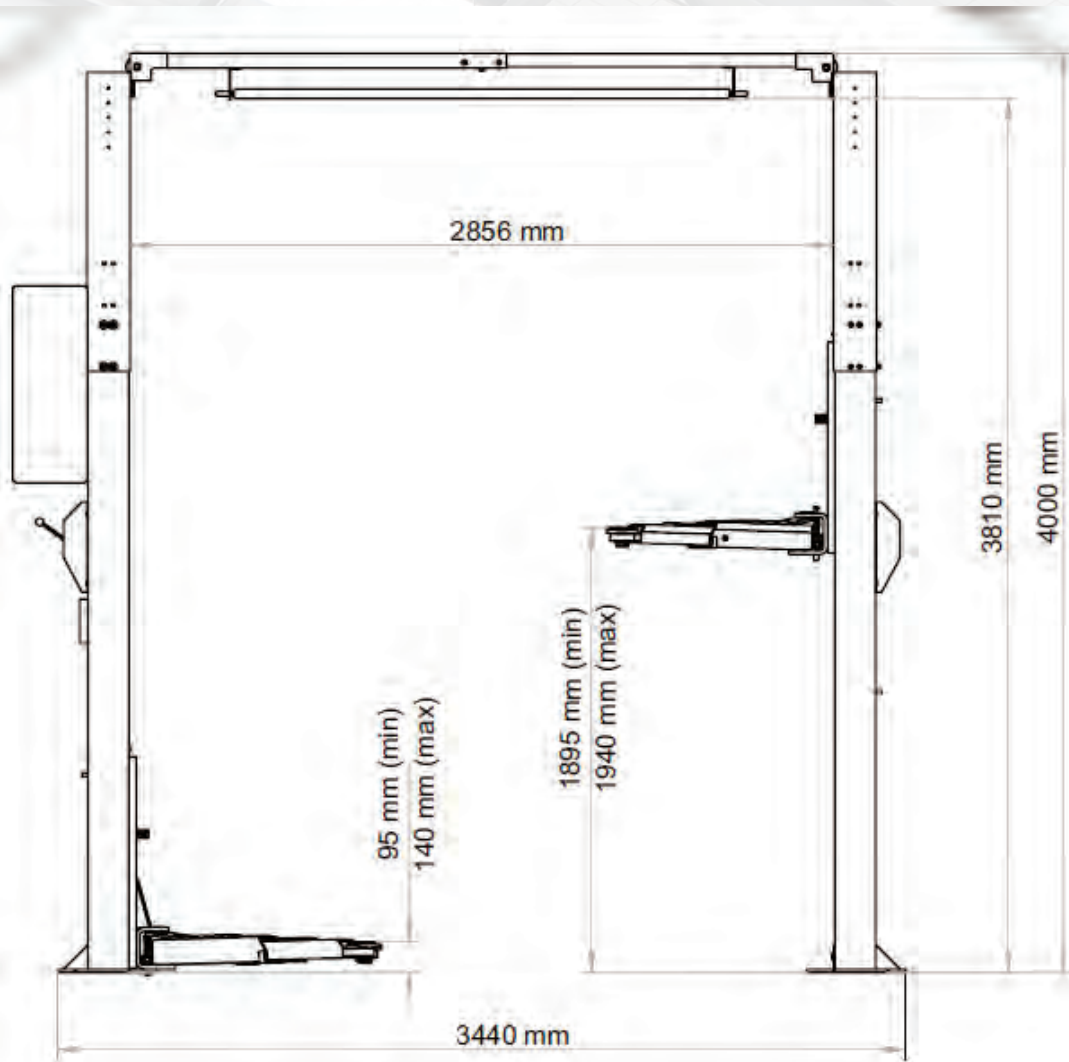
Galvanized & outdoor rated version of the CEN-2PKS.45 Professional, full feature, heavy duty lift.

- 2 Post clear floor hoist. 4500KG lift rating
- Electric IP-rated control box with 220V outlet
- Motor, hose and wiring covers
- Stainless steel cables, nuts and bolts.
- Double telescopic adjustable lifting feet.
- Minimum lift pad height 95mm - Maximum 140mm
- Includes 100mm ute / 4x4 adaptors
- 3 stage front and 2 stage rear arms.
- Dual pre-stretched balancing cables.
- Automatic arm and carriage locks
- Top limit switch
- Secondary carriage height limit

- Overall height: 4,000mm
- Max lifting height 1,900mm
- Drive-through width: 2,475mm



- Concrete requirement: 150mm
Base support bars available for use at installers discretion
- Power Supply: 15A, 220V, single phase
16A, 415v, 3ph available on order



CENTURY»

AUTOMOTIVE EQUIPMENT

- Tyre Changers*
- Wheel Balancers*
- 2 Post Lifts*
- 4 Post Lifts*
- Scissor Lifts*
- Vehicle Storage*

CENTURY EQUIPMENT

54 Wainui Rd, Waiwhetu, Wellington

Phone: 04 567 1405 - Email: sales@centurydistributors.co.nz

www.centurydistributors.co.nz