



**TOOLS &
EQUIPMENT**

2PBE

PREMIUM BASEPLATE - 4000kg

**CENTURY»
AUTOMOTIVE EQUIPMENT**



CENTURY EQUIPMENT
54 Wainui Rd, Waiwhetu, Wellington
Phone: 04 567 1405 - Email: sales@centurydistributors.co.nz
www.centurydistributors.co.nz

CEN-2PB evolution

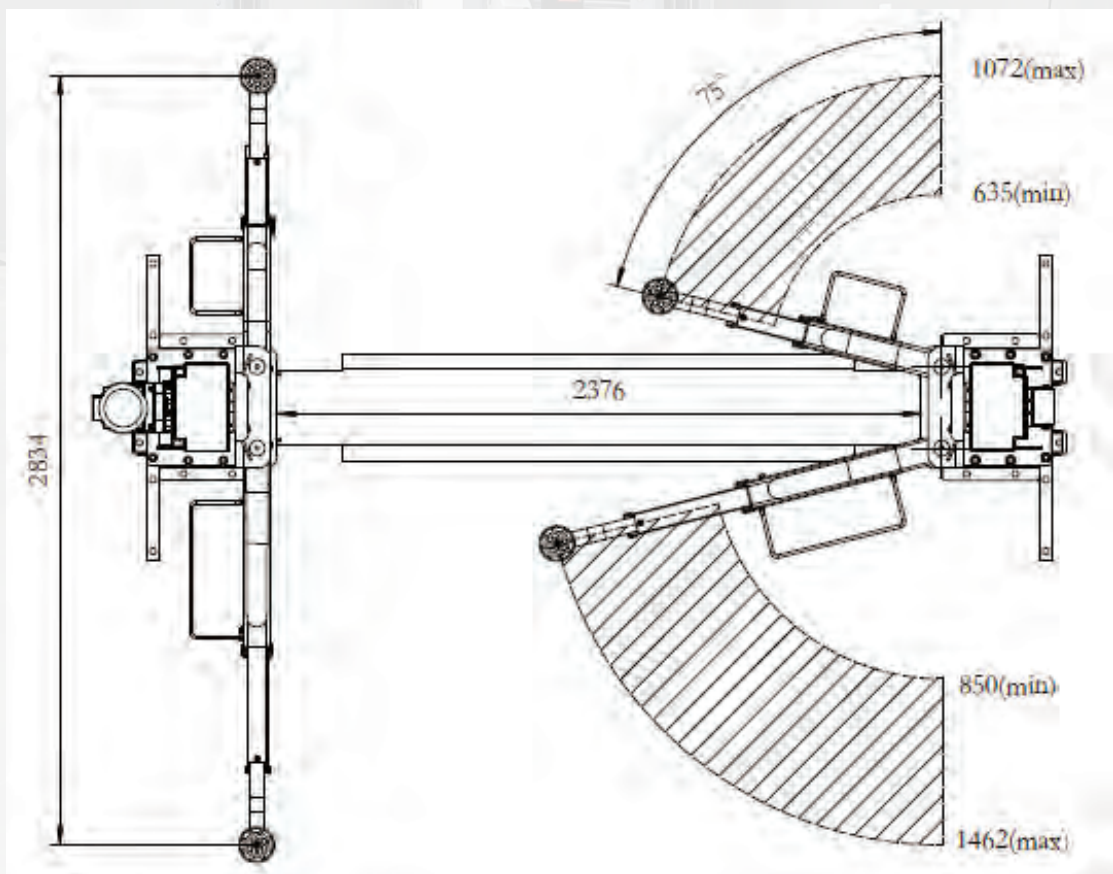
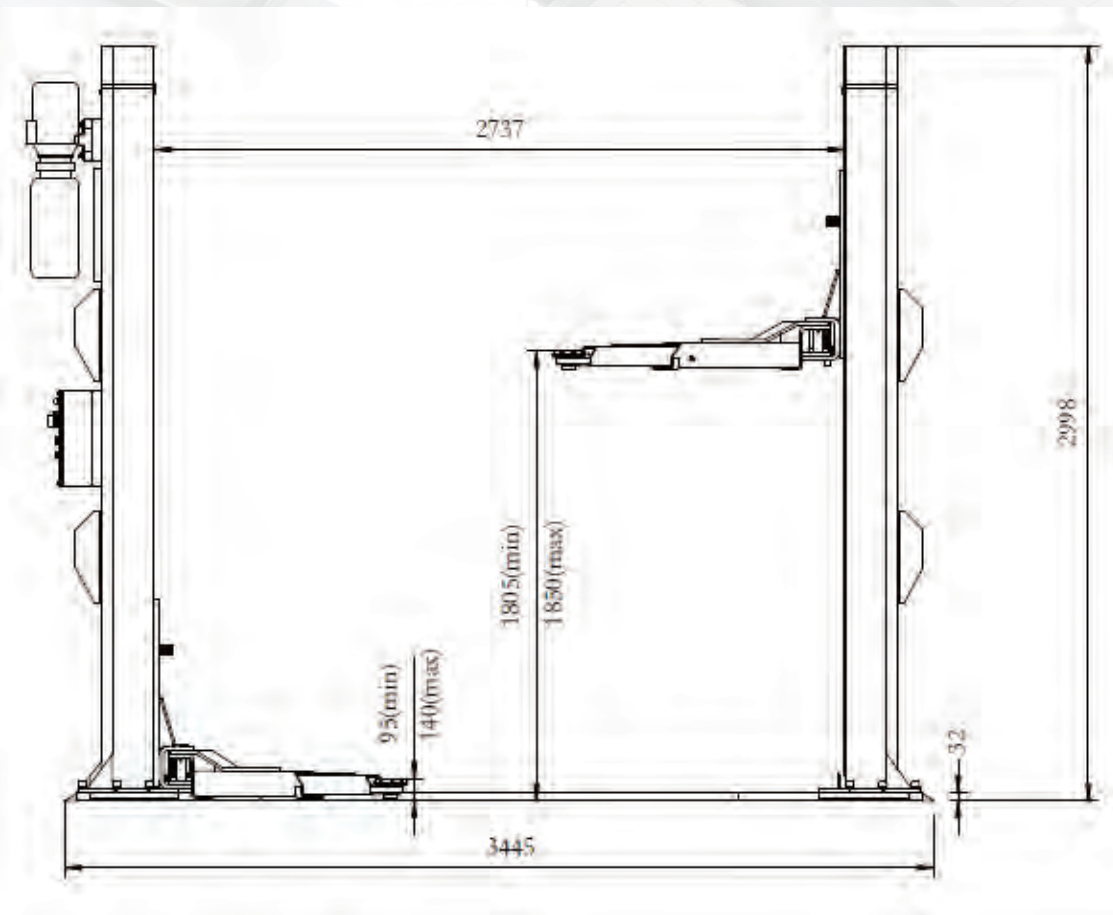
The premium option in basefloor 2 post lifts.
All the features of top model clear-floor hoists.
Designed for low roof applications with electric controls

- *2 Post base-floor hoist. 4000kg lift rating.*
- *Electric control box with isolator switch*
- *Single point lock release and lowering.*
- *Double telescopic adjustable lifting feet.*
- *Minimum lift pad height 95mm - Maximum 140mm*
- *Includes 100mm ute / 4x4 adaptors*
- *3 stage front and rear arms.*
- *Dual pre-stretched balancing cables.*
- *Automatic arm and carriage locks*
- *Top limit switch / Secondary carriage limit*
- *Base frame for added strength & safety*

- *Overall height: 3,000mm*
- *Max lifting height: 1,900mm*
- *Drive-through width: 2,545mm*
- *Standard colour ultramarine blue*



- *Concrete requirement: 100mm*
- *Power Supply: 15A, 220V, single phase*



CENTURY **AUTOMOTIVE EQUIPMENT**

TOOLS & EQUIPMENT



- Tyre Changers
- Wheel Balancers
- 2 Post Lifts
- 4 Post Lifts
- Scissor Lifts
- Vehicle Storage

CENTURY EQUIPMENT

54 Wainui Rd, Waiwhetu, Wellington

Phone: 04 567 1405 - Email: sales@centurydistributors.co.nz

www.centurydistributors.co.nz