

CENTURY»
AUTOMOTIVE EQUIPMENT

2P40

ECO - 4000kg



CENTURY EQUIPMENT
54 Wainui Rd, Waiwhetu, Wellington
Phone: 04 567 1405 - Email: sales@centurydistributors.co.nz
www.centurydistributors.co.nz

CEN-2P40

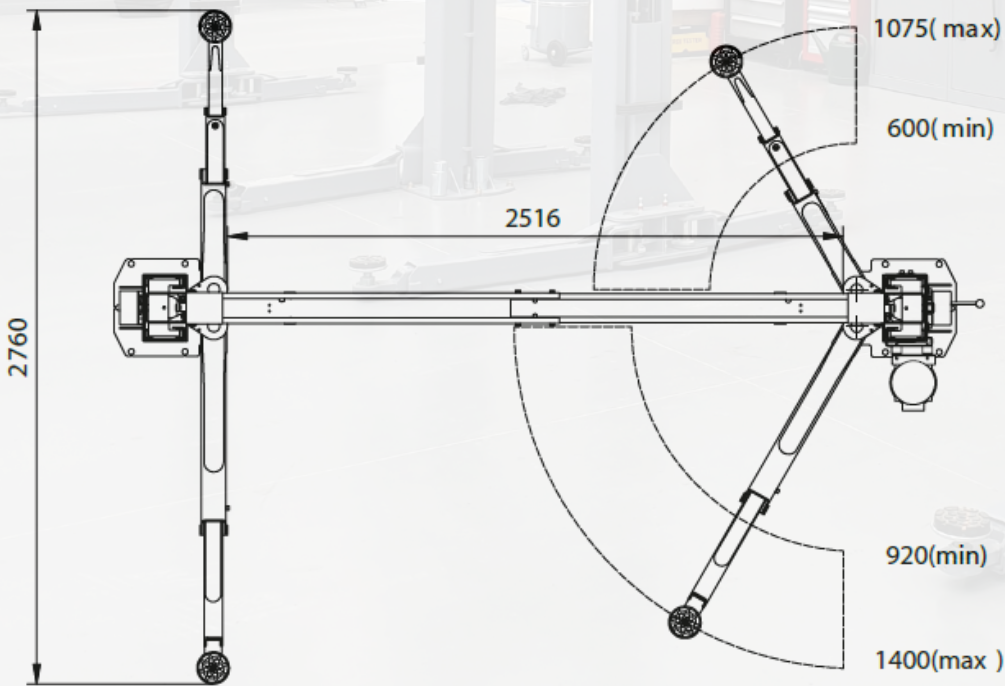
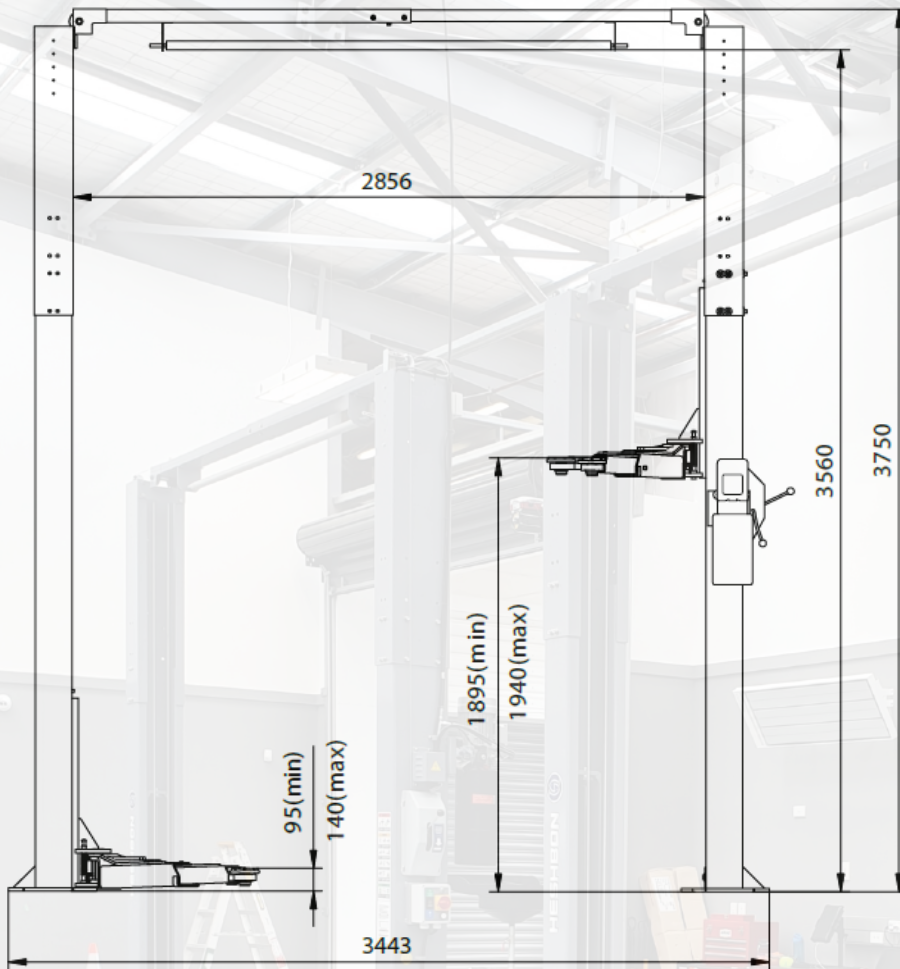
Perfect for home garages or workshops looking for the best combination of quality, value & features.

- *2 Post clear-floor hoist. 4000KG lift rating.*
- *Single point lock release and lowering.*
- *Double telescopic adjustable lifting feet.*
- *Minimum lift pad height 95mm - Maximum 170mm*
- *3 stage front arms, 2 stage rear arms.*
- *Dual pre-stretched balancing cables.*
- *Automatic arm and carriage locks*
- *Top limit switch with padded bar*
- *Secondary carriage height limit*

- *3,750mm overall height
(Can be installed at 3,500mm)*
- *Max lifting height 1,940mm*
- *Drive-through width 2,516mm*
- *Standard colour dark gray*
- *220V, 13 amp power supply*

CENTURY»
AUTOMOTIVE EQUIPMENT

Tyre Changers
Wheel Balancers
2 Post Lifts
4 Post Lifts
Scissor Lifts
Vehicle Storage



CENTURY»

AUTOMOTIVE EQUIPMENT

- Tyre Changers
- Wheel Balancers
- 2 Post Lifts
- 4 Post Lifts
- Scissor Lifts
- Vehicle Storage

CENTURY EQUIPMENT

54 Wainui Rd, Waiwhetu, Wellington

Phone: 04 567 1405 - Email: sales@centurydistributors.co.nz

www.centurydistributors.co.nz